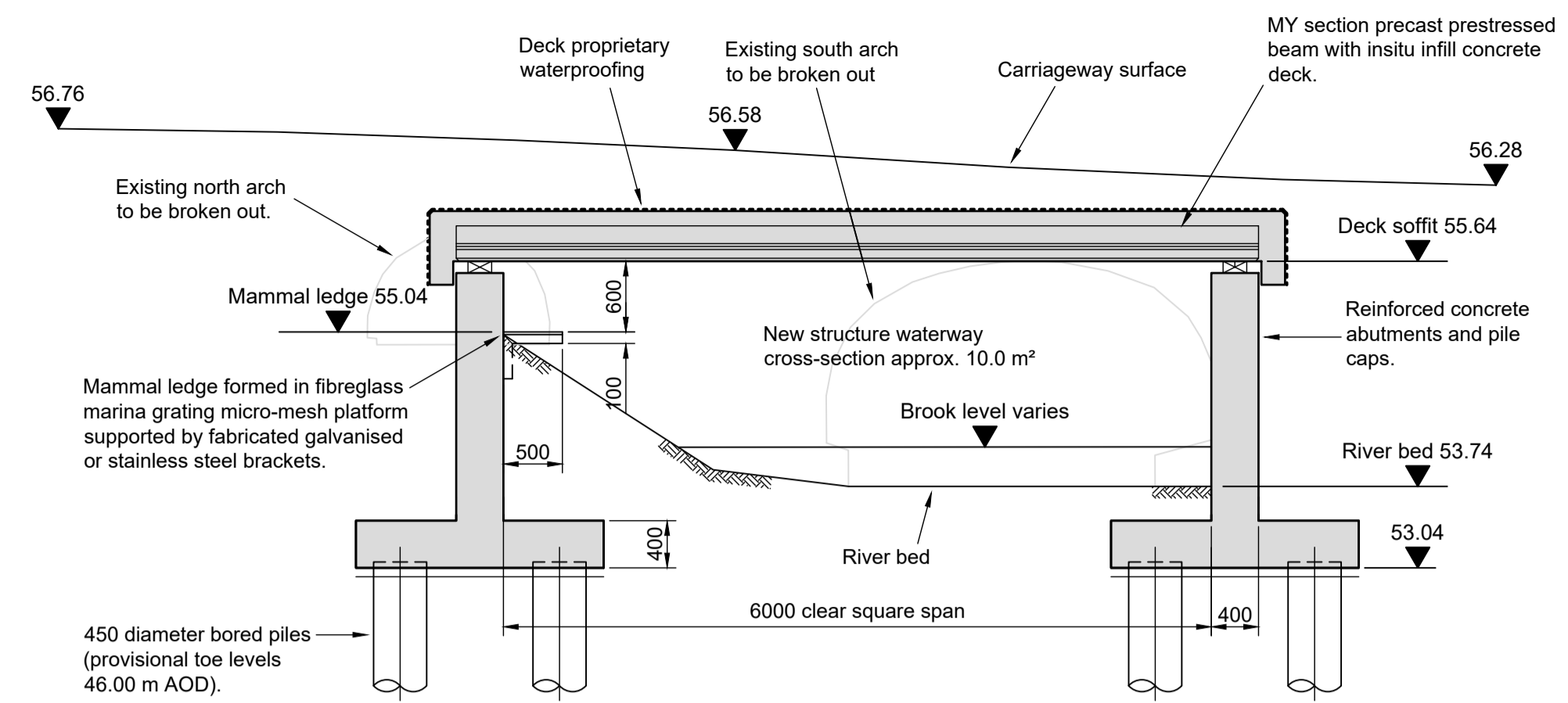
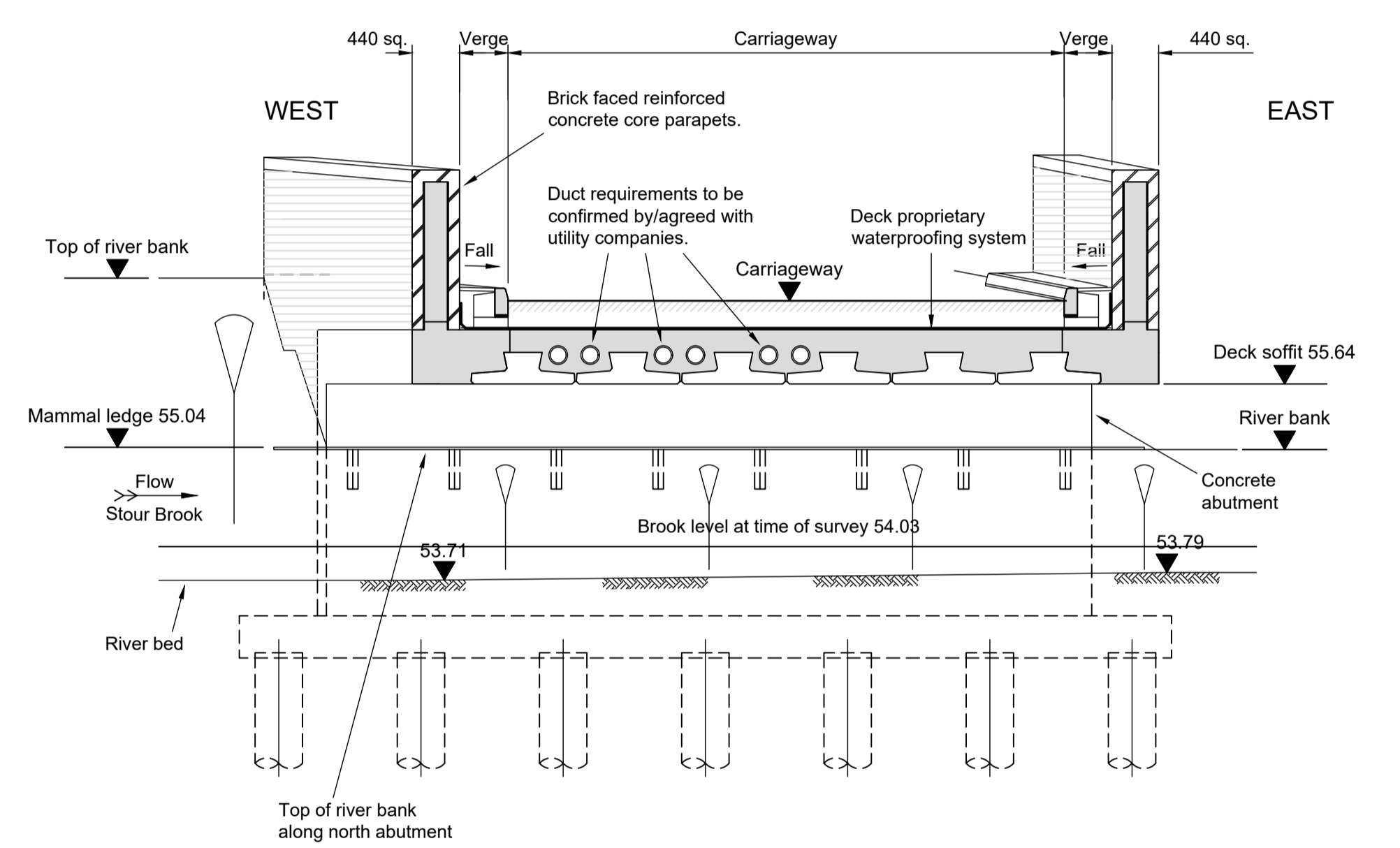


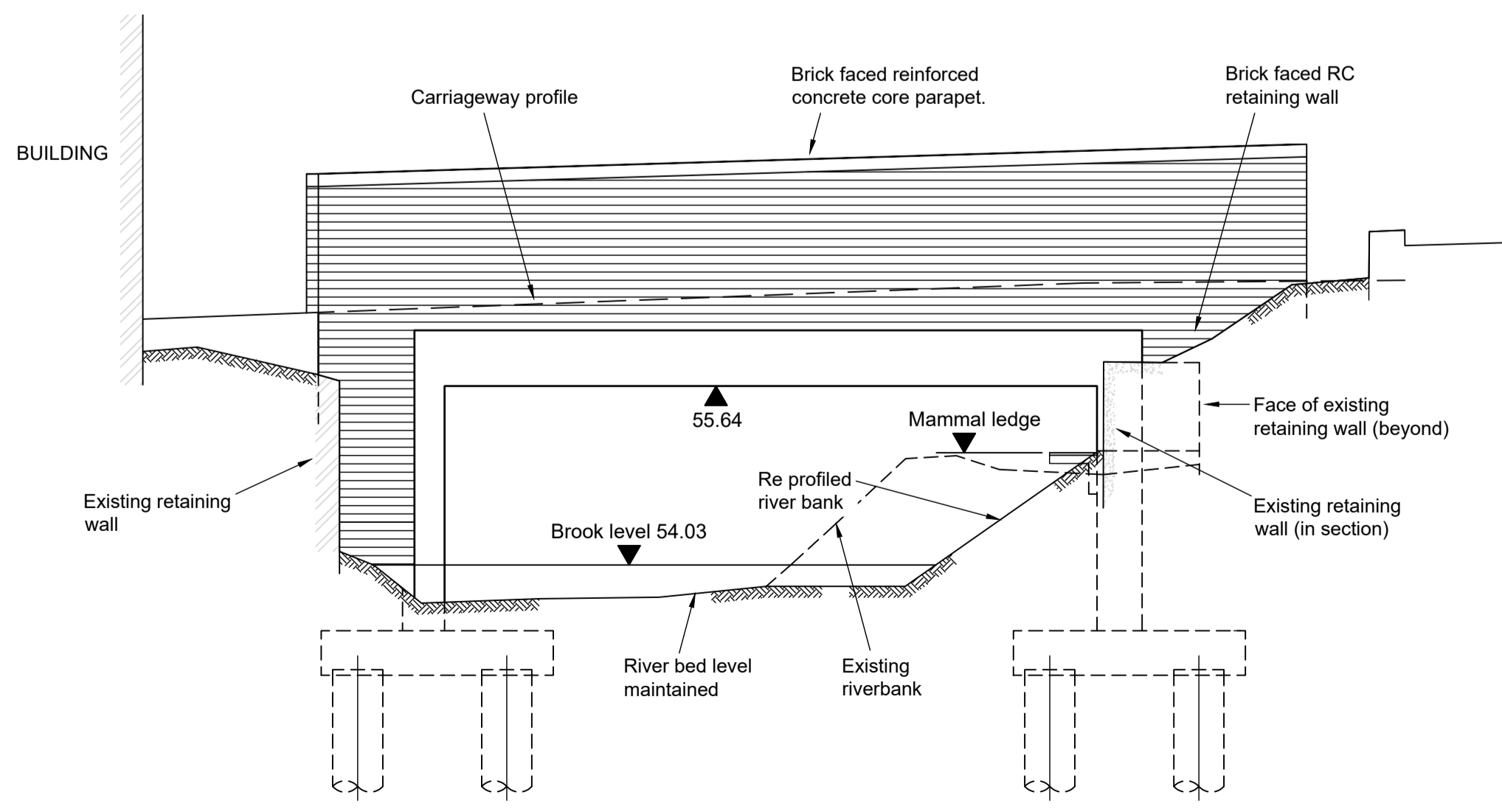
PLAN



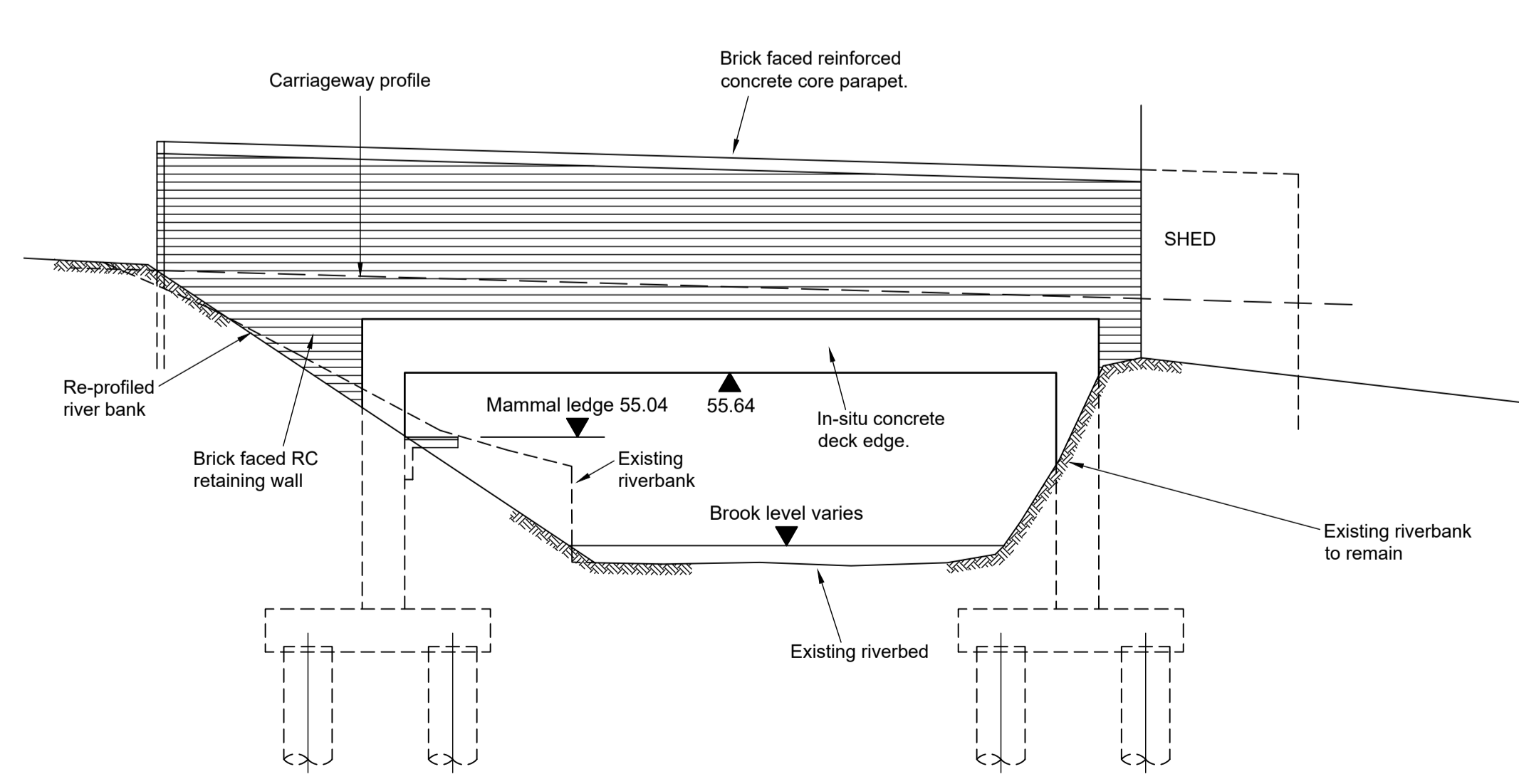
SECTION A-A



SECTION B-B



SECTION C-C (RIVER CHAINAGE 52.00 m)



SECTION D-D (RIVER CHAINAGE 68.00 m)

- NOTES
1. Dimensions are in millimetres unless noted otherwise.
 2. Levels are in metres above Ordnance Survey datum.
 - 3.

Rev.	Date	Description of revision	Drawn	Checked	Reviewed	Approved
A	03/23	Form of deck changed to semi-integral simply supported PPC beams.	ST	SF	SF	

DRAWING STATUS
DRAFT FOR INFORMATION



Essex Highways
Seax House, 2nd Floor, Victoria Road South,
Chelmsford, CM1 1QH - Tel: 0345 6037631 © Essex County Council

SCHEME TITLE
**STURMER STATION BRIDGE
ECC BRIDGE No. 1426**

DRAWING TITLE
**PROPOSED BRIDGE
GENERAL ARRANGEMENT**

DESIGNED	DRAWN	CHECKED	REVIEWED	APPROVED
SKT	JEB	SKT		
DATE	DATE	DATE	DATE	DATE
OCT 20	OCT 20	OCT 20		

DRAWING UNITS U.N.O.
DIMENSIONS IN MILLIMETRES
LEVELS IN METRES

SCALE AT A1 (841X594mm)
1:50

DRAWING No. **BR1426-01-1202** REV. **A-2**

